



RETROFIT INFANT CAR SEAT ADAPTER INSTRUCTIONS

Congratulations on your purchase of the BOB Retrofit Infant Car Seat Adapter (ICSA). It is designed to allow the attachment of an Infant Car Seat to your BOB Stroller. Please see the table below for the details of compatible strollers and car seats.

BOB Stroller Model Year Compatibility		
Model Year(s)	Model	Serial Number*
2002 thru 2004	Sport Utility Stroller	012362 to 035107
2002 thru 2004	Sport Utility Stroller D'Lux	012362 to 035107
2004	Ironman	800000 to 803700

* Reference Fig. A for serial number location.

Car Seat Compatibility		
Brand	Model	Year(s)
Britax®	Companion®	2003 & newer
Graco®	Snug Ride®	2003 & newer
Peg Perego®	Primo Viaggio™	2003 & newer

Before attempting to install your new ICESA, read and understand these instructions completely to insure proper installation.

If you are unclear on any point, contact your dealer or BOB before use.

WARNINGS

- The BOB ICESA is designed for use with single seat BOB Strollers and recommended Infant Car Seats. Children should not be placed directly in the BOB Stroller seat with the ICESA installed. The ICESA Restraint Belt interferes with the proper function of the safety harness system and the Accessory Tube of the ICESA can interfere with accessibility. ICESA must be removed from the BOB Stroller prior to using with a child directly in the seat.
- Read and understand stroller owner's manual before use.
- Read and understand car seat owner's manual before use.
- Follow assembly instructions. Failure to properly install this accessory product may result in accidents, severe injury or death. If you are not sure you can install this accessory, contact your dealer and arrange for them to perform the installation.
- Never leave children unattended in the stroller/car seat.
- Always secure the car seat with the restraint belt when the car seat is placed in the stroller.
- Always use seat harness of Infant Car Seat to avoid children from falling out of stroller.
- Refer to your Infant Car Seat owner's manual for maximum capacity limitations.
- Always keep your Infant Car Seat handle vertical and locked position when used in stroller to protect your child.
- This product is not a universal adapter. Consult chart for compatibility with infant car seat brand and model.
- Do not strap parcels or bags to the stroller handle or to this product when installed on your stroller as it affects the balance and stability of the stroller and can cause it to tip over.
- Do not run or jog when using the Infant Car Seat Adapter.
- Do not use off-road or on uneven terrain when using the car seat adapter.
- Children develop at different rates. Consult with your pediatrician regarding the suitability of the stroller use with your child.

BOB IS NOT RESPONSIBLE FOR INJURY, DAMAGE OR FAILURE THAT RESULTS FROM OWNERS FAULTY ASSEMBLY OR MAINTENANCE AFTER SHIPPING.

ASSEMBLY INSTRUCTIONS

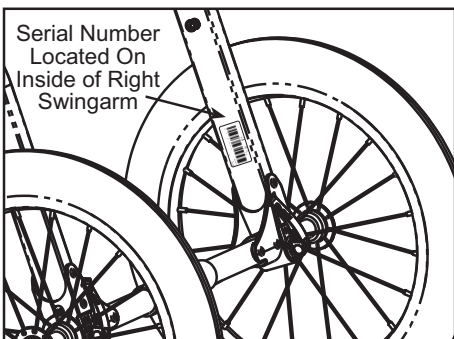


Fig. A Serial Number Location

TOOLS NEEDED:

To perform the installation, you will need two Philips Screwdrivers, 4mm Allen Wrench, a 8mm or 5/16" Socket and a rag or paper towel.

Sun Canopy Spacer Installation: Prior to installing the ICESA, you will need to add a spacer to each side of the canopy pucker

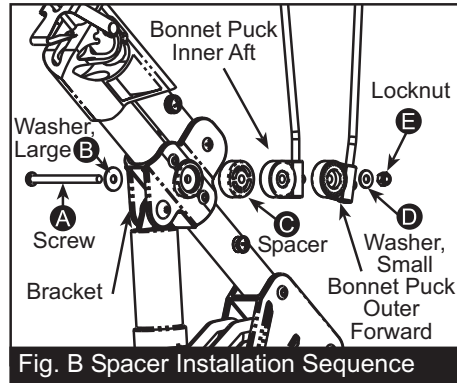


Fig. B Spacer Installation Sequence

assembly. Fig. B describes the anatomy and installation sequence of the canopy-pucker-spacer assembly. We suggest performing this operation one side at a time so you can use the opposite side for reference.

1. Remove Canopy Hardware: Using a 4mm Allen wrench on the screw head (Item A), and a 8mm (5/16")

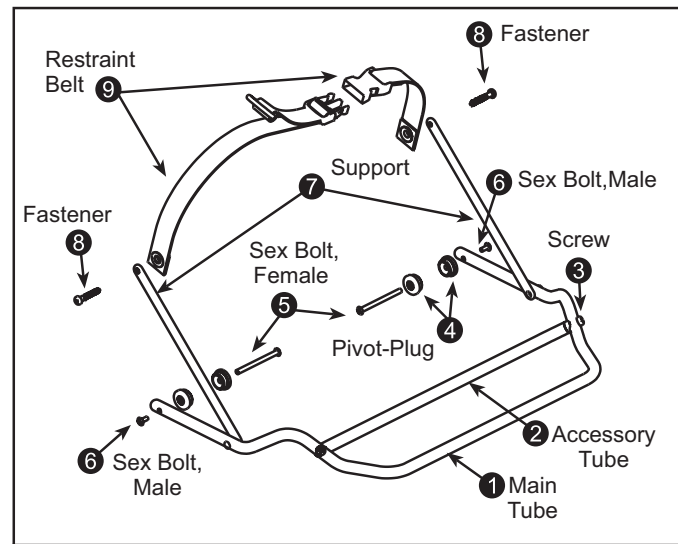


Fig. 1 Anatomy of the Infant Car Seat Adapter

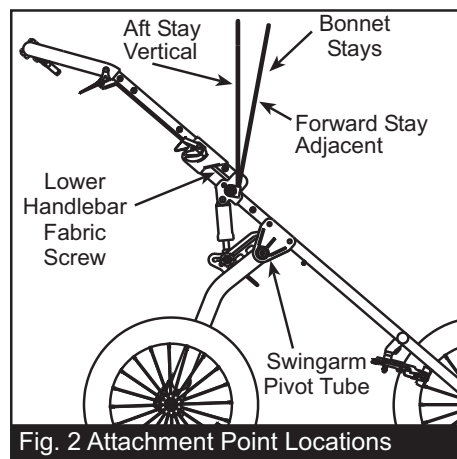


Fig. 2 Attachment Point Locations

socket wrench on the locknut (Item E), turn counter clockwise to remove locknut and disassemble.

2. Install new parts in the following sequence:

a. Place the large metal washer (Item B) on the supplied longer screw (Item A). Insert screw through hole in black plastic bracket from the inboard side of stroller. Threaded end should point outboard as shown in Fig. B.

b. Place the spacer (Item C), on the

protruding end of screw.

c. Place the inner pucker, then the outer pucker on the protruding end of screw.

d. Place the smaller metal washer (Item D) on the screw.

e. Apply a drop of Loctite to exposed threads of screw. A vial of Loctite 262 has been supplied for this purpose.

Loctite 262 is a potentially hazardous chemical. Do not allow contact with skin or eyes. Do not ingest. Use in well ventilated area. Keep out of reach of children and dispose of vial properly. MSDS for Loctite part number 26205 can be found at www.loctite.com

f. Thread 5mm locknut (Item E) onto the screw.

g. Using a 4mm Allen wrench on the screw head (Item A), and a 8mm (5/16") socket wrench on the locknut (Item E), tighten to the point that the sun canopy stays in place (Torque to 32 in-lbf. The end of the

screw may protrude slightly past the end of the locknut).

h. Repeat installation for the opposite side of sun canopy. Wipe area clean with rag or towel. After tightening the locknuts (Item E), the Loctite will need 8 or more hours to set (depends on temperature) prior to use.

Reference Fig. 1 as it describes the various parts of the ICESA.

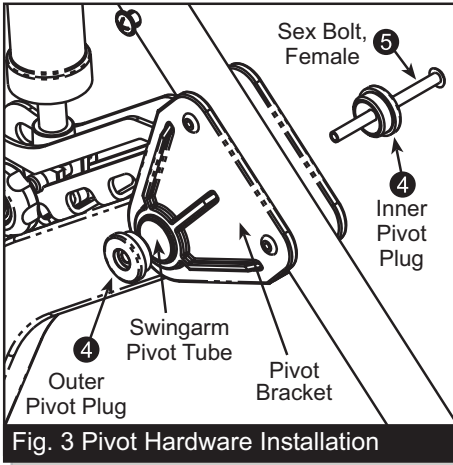


Fig. 3 Pivot Hardware Installation

Set parking brake. Refer to BOB stroller owner's manual for use and function of brake.

1. UNPACK:

Remove all packaging material from product.

Note orientation of pivot parts and hardware (Item No's. 4, 5, & 6). When installing these parts they should be assembled in same orientation as shown in Fig. 1.

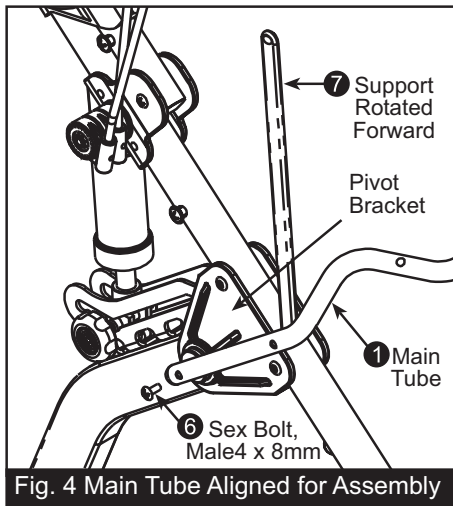


Fig. 4 Main Tube Aligned for Assembly

2. LOCATE THE ATTACHMENT POINTS ON STROLLER:

Fig. 2 shows the swingarm pivot tube locations where the pivot-plugs will be installed. Place the 4 pivot-plugs (Item 4) inside each end of both swingarm pivot tubes of your BOB stroller as shown in Fig. 3. In order to locate and view the inside locations, it may be helpful to push the fabric seat of stroller forward and out of the way.

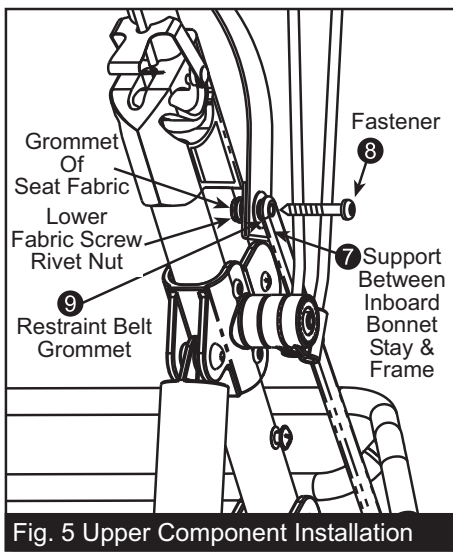


Fig. 5 Upper Component Installation

3. INSTALL THE PIVOT HARDWARE ON STROLLER:

With pivot plugs installed, next install the pivot hardware. Insert one of the female (long) parts of sex bolt (Item 5) through each pair of pivot plugs (Item 4) from the inside, as shown in Fig. 3, so the threaded ends are just flush with the outside pivot-plugs.

4. POSITION THE ICESA ASSEMBLY:

Make sure both the supports (Item 7) are rotated forward before installing ICESA on stroller as shown in Fig. 4. Stretch both ends of the ICESA main tube evenly over the pivot brackets of the stroller. Be careful not to pinch your fingers.

One side at a time, locate each hole at the end of the main tube of the ICESA assembly and line up with pivot hardware on stroller. One side at a time, push female part of sex bolt (Item 5) through ICESA main tube, and install male part of sex bolt (Item 6) As shown in Fig. 3. Tighten pivot hardware using both screwdrivers. Tighten completely (Torque to 10-15 inch-pounds force).

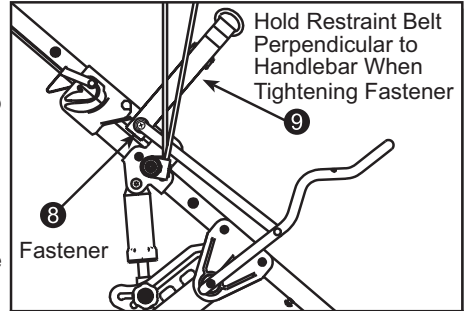


Fig. 6 Proper Restraint Belt Orientation

5. INSTALL UPPER COMPONENTS:

Move stays of stroller bonnet (sun canopy) to a vertical position as shown in Fig. 2. Locate and remove the lower fabric screw on each side of handlebar, Fig. 2. Work on one side at a time, keeping the other side Support (Item 7) forward as shown in Fig. 4. Rotate Main Tube (Item 1) back, routing the Support (Item 7) between inboard bonnet stay and stroller frame until the hole in the support is aligned with lower fabric screw threads (rivet nut) on handlebar. Assembly sequence shown in Fig. 5. Make sure restraint belt (Item 9) is oriented with pull ring facing out as shown in Fig. 7. Push fastener (Item 8) with pointed end carefully through support (Item 7), grommet of safety restraint belt (Item 9), then through fabric grommet and into rivet nut on handlebar. Start thread by hand. Using screwdriver, thread the fastener straight into the handlebar. Be careful: do not cross-thread. The fastener is designed to anchor into the interior opposite wall of handlebar. Hold the restraint belt in the proper position perpendicular to frame as shown in Fig. 6 and tighten Fastener (Item 8). (Torque to 10-15 In-lbf.) Properly installed Restraint Belt shown in Fig. 7.



Fig. 7 Restraint Belt Properly Installed



Fig. 8 Correct Configuration for Britax Companion



Fig. 9 Britax Companion Placed on ICESA



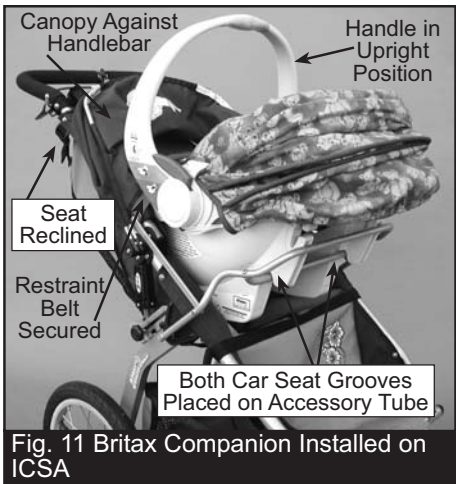
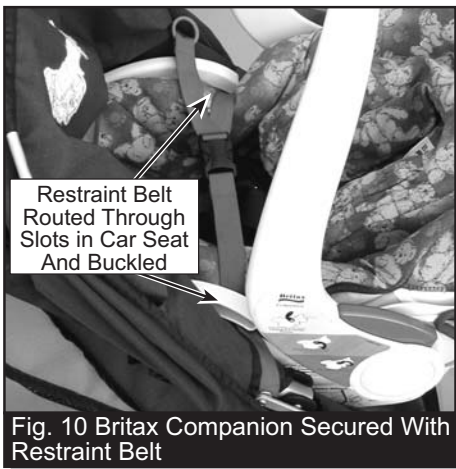
INSTRUCTIONS FOR INSTALLING AND SECURING YOUR INFANT CAR SEAT IN BOB ICSA

Your infant car seat can be placed in and removed from a BOB Stroller with the infant car seat occupied or vacant. However, when installing car seat in the ICSA for the first time, test fit with the car seat unoccupied to ensure you understand the process and to make sure the seat recline and Accessory Tube set up is correct for your type of Infant Car Seat.

Installation instructions for the compatible brands and models below. Follow the appropriate instructions for your infant car seat.

BRITAX Companion

1. Set parking brake. Refer to BOB stroller owner's manual for use and function of brake.
2. Confirm Accessory Tube (Item 2) is installed on ICSA and secured in place by two screws (Item 3). The ICSA is supplied with the Accessory Tube installed.
3. Fig. 8 shows the ICSA and stroller in the correct configuration to accept the Britax Companion.
4. Recline BOB Stroller seat all the way back. Refer to BOB stroller owner's manual for seat-recline feature strap(s) location and function.
5. Rotate BOB stroller canopy all the way back against the handlebar, Fig. 8.
6. Unbuckle Restraint Belt. Move each belt end outside the stroller seat so they will not be trapped under the BRITAX, Fig. 8.
7. With car seat handle in vertical (carry) position, gently place the BRITAX rear facing in the seat of BOB Stroller w/ICSA in a straight downward motion.
8. Align the bottom channels or grooves of the BRITAX plastic frame so they rest on the Accessory Tube (Item 2) as shown in Fig. 9.
9. Route restraint belt through slots in car seat and fasten buckle as shown in Fig. 10.
10. Pull on the ring to tighten the Restraint Belt. When tightened properly, the belt will hold the BRITAX securely in place. Make sure the tension of the belt is not constricting your child. Before use, verify you have installed your Britax Companion correctly



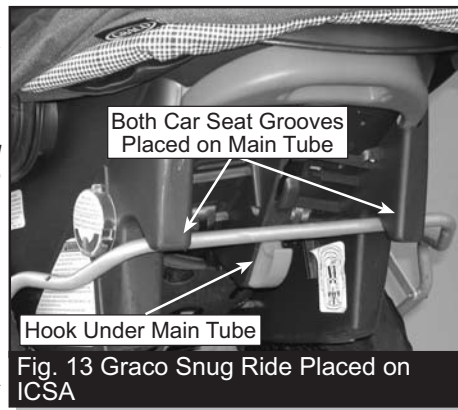
as shown in Fig. 11. As final double check before use, attempt to remove car seat with restraint belt in place and securely fastened. *You should not be able to remove car seat without unfastening restraint belt.*

To remove the BRITAX:

1. Set parking brake.
2. Unbuckle the ICSA restraint belt and move out of way.
3. Lift the BRITAX straight up and off the BOB stroller with the handle of the BRITAX in the vertical (carry) position.
4. Fasten restraint belt when not in use to prevent damage.

GRACO Snug Ride

1. Set parking brake. Refer to BOB stroller owner's manual for use and function of brake.
2. Remove Accessory Tube (Item 2) on ICSA by removing two screws (Item 3) with Philips screwdriver.
3. Fig. 12 shows the ICSA and stroller in the correct configuration to accept the Graco Snug Ride.
4. Make sure BOB Stroller seat is in the upright position. Refer to BOB stroller owner's manual for seat-recline strap(s) location and function.
5. Rotate BOB stroller canopy all the way back against the handlebar, Fig. 12.
6. Unbuckle Restraint Belt. Move each belt end outside the stroller seat so they will not be trapped under the GRACO, Fig. 12.
7. With car seat handle in vertical (carry) position, gently place the GRACO rear facing in the seat of BOB Stroller w/ICSA in a straight downward motion.
8. Align the bottom channels or grooves of the GRACO plastic frame so they rest on the main tube (Item 1) as shown in Fig. 13. Confirm the red plastic hook of the GRACO is under the main tube (Item 1).
9. Route restraint belt through slots in car and fasten buckle as shown in Fig. 14.
10. Pull on the ring to tighten the restraint belt. When tightened properly,



the belt will hold the GRACO securely in place. Make sure the tension of the belt is not constricting your child. Before use, verify you have installed your Snug Ride correctly as shown in Fig. 15. As final double check before use, attempt to remove car seat with the restraint belt in place and securely fastened. *You should not be able to remove car seat without unfastening restraint belt.*

To remove the GRACO:

1. Set parking brake.
2. Unbuckle the ICSA restraint belt and move out of way.
3. Pull on red release handle of the GRACO while lifting straight up and off the BOB stroller with the handle of the GRACO in the vertical (carry) position.
4. Fasten restraint belt when not in use to prevent damage.

PEG PEREGO Primo Viaggio

1. Set Parking Brake. Refer to BOB stroller owner's manual for use and function of brake.
2. Confirm Accessory Tube (Item 2) is installed on ICSA and secured in place by two screws (Item 3). The ICSA is supplied with the Accessory Tube installed.
3. Fig. 17 shows the ICSA and stroller in the correct configuration to accept the Peg Perego Primo Viaggio.
4. Make sure BOB Stroller seat is in the upright position. Refer to BOB stroller owner's manual for seat-recline strap(s) location and function.



Fig. 17 Correct Configuration for Peg Pergego Primo Viaggio

5. Rotate BOB stroller canopy all the way open, back against the handlebar, Fig. 17.
6. Unbuckle Restraint Belt. Move each belt end outside the stroller seat so they will not be trapped under the PEG PEREGO, Fig. 17.
7. With car seat handle in vertical (carry) position, gently place the PEG PEREGO rear facing in the seat of BOB Stroller w/ICSA in a straight downward motion.
8. Align the bottom channels or grooves of the PEG PEREGO plastic frame so they rest on the Accessory Tube (Item 2) as shown in Fig. 18.
9. Fasten buckle of Restraint Belt over the top of the PEG PEREGO as shown in Fig. 15.
10. Pull on the ring to tighten the Restraint



Fig. 18 Peg Perego Primo Viaggio Placed on ICSA



Fig. 19 Peg Perego Primo Viaggio Secured With Restraint Belt

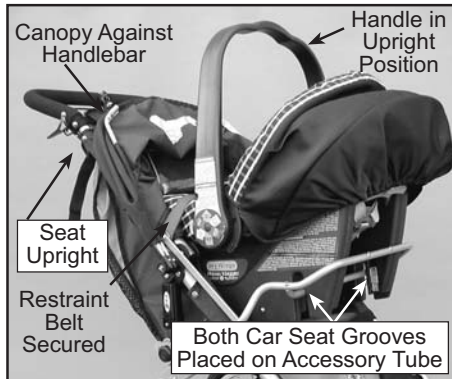


Fig. 20 Peg Perego Primo Viaggio Installed on ICSA

restraint belt.

Belt. When tightened properly, the belt will hold the PEG PEREGO securely in place. Make sure the tension of the belt is not constricting your child. Before use, verify you have installed your Primo Viaggio correctly as shown if Fig. 20. As final double check before use, attempt to remove car seat with the restraint belt. *You should not be able to remove car seat without unfastening*

To remove the PEG PEREGO:

1. Set parking brake.
2. Unbuckle the ICSA restraint belt and move out of way.
3. Lift the PEG PEREGO straight up and off the BOB stroller with the handle of the PEG PEREGO in the vertical (carry) position.
4. Fasten restraint belt when not in use to prevent damage.

LIMITED WARRANTY

BOB Trailers Inc. takes pride in its workmanship and strives to manufacture the best products possible. Therefore, we warranty the ICSA against defects in material and workmanship subject to the conditions listed below. Since no product is indestructible, it does not cover defects attributable to or resulting from normal wear, abuse or alteration.

- The ICSA is warranted for one year from the date of original purchase.
- Warranty is only valid for the original purchaser.
- Proof of purchase is required to exercise this warranty.
- Labor and freight charges are not included.
- Normal wear, neglect, abuse, accidents, and improper use are not covered by this warranty.
- Warranty claims must be made through an authorized dealer.
- This warranty is limited to the repair or replacement of the defective part. BOB Trailers, Inc. shall in no event be responsible for consequential or special damages.
- This Limited Warranty is the only express or implied warranty applicable to BOB Trailers, Inc. Any implied warranties, including warranties of merchantability and fitness shall be limited in scope and duration in accordance with this limited warranty.

B•O•B, B•O•B Logo, and BOB are proprietary trademarks of BOB Trailers, Inc.

Britax® and Companion® are registered trademarks of Britax Excelsior Ltd. and related companies

Graco® and Snug Ride® are registered trademarks of Graco Children's Products, Inc.

Peg Perego® and Primo Viaggio™ are registered and proprietary trademarks of Peg Perego S.P.A. Corporation